

## BS5163 Resilient seated NRS gate valve-flange end

Model No. Z45X-02

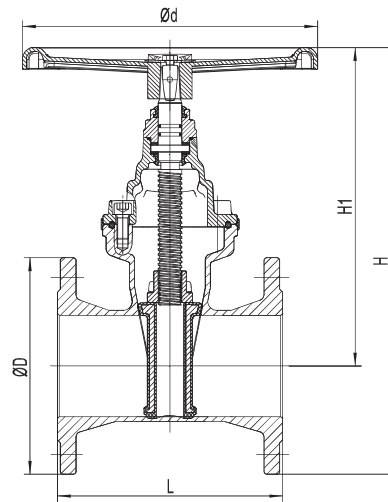


Name of parts	Material
Body	Ductile iron
Wedge	Ductile iron+EPDM
Stem nut	Bronze
Stem	SS431 or SS304, SS316, bronze
Bonnet	Ductile iron
Bonnet Gasket	EPDM
Sealing Ring	EPDM
Upper cover	Ductile iron
Sliding disc	Bronze
Screw	Carbon steel with hot galvanization
O-rings	EPDM
Handwheel	Ductile iron

02

### Technical data >

- Sizes: DN50~DN300
- Working pressure: PN16/PN25
- Valve standard: BS5163
- Flange standard: EN1092-2
- Temperature range: 0 ~ 80 °C



Dimensions		Pressure rating		Size (mm)			
DN	inch	PN	ΦD	L	H1	H	Φd
50	2	16	165	178	256	338.5	203
		25		216			
65	2.5	16	185	190	256	348.5	203
		25		241			
80	3	16	200	203	273.5	373.5	203
		25		283			
100	4	16	220	229	323.5	433.5	300
		25	235	305		441	
125	5	16	250	254	376	501	300
		25	270	381		511	
150	6	16	285	267	423.5	566	300
		25	300	403		573.5	
200	8	16	340	292	530.5	700.5	406
		25	360	419		710.5	
250	10	16	400	330	645	845	406
		25	425	457		857.5	
300	12	16	455	356	725.5	953	406
		25	485	502		953	