

FireLock® V38, K5.6 Models V3801, V3802

Adjustable Concealed Standard Spray Standard and Quick Response



V3801 and V3802

Approvals/Listings:



See Victaulic Publication 10.01 for more details.

Product Description:

This concealed, designer style sprinkler allows up to 1/2"/13 mm adjustment to accommodate concealment needs. The "standard" design provides a consistent hemispherical spray pattern. The separate two-piece mounting cup/cover plate allows easy installation and testing prior to ceiling installation. It also permits removal of suspended ceiling panels without system shutdown.

This sprinkler is available in various temperature ratings (see chart on page 3) and finishes to meet many design requirements.

Coverage:

For coverage area and sprinkler placement, refer to NFPA 13 or applicable standards.

Technical Specifications:

Models: V3801, V3802

Style: Adjustable concealed, ordinary hazard, light hazard

Nominal Orifice Size: 1/2"/13 mm

K-Factor: 5.6 Imp./8.1 S.I.¹

Nominal Thread Size: 1/2"/15 mm

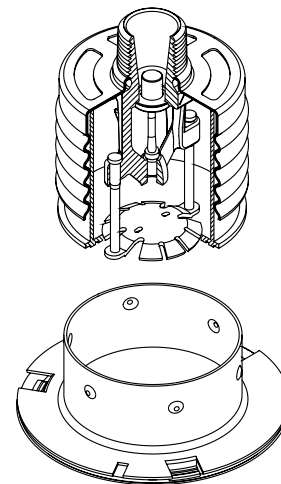
Max. Working Pressure: 175 psi/1200 kPa

Factory Hydrostatic Test: 100% @ 500 psi/3450 kPa

Min. Operating Pressure: 7 psi/48 kPa

Temperature Rating: See chart on page 3.

¹ For K-Factor when pressure is measured in Bar, multiply S.I. units by 10.0.



Exaggerated for clarity

Job/Owner

System No.	
Location	

Contractor

Submitted By	
Date	

Engineer

Spec Section	
Paragraph	
Approved	
Date	

Material Specifications:

Deflector: Bronze per UNS C22000

Cover Plate: Fusible solder

Bulb: Glass with glycerin solution.

Bulb Nominal Diameter:

Standard: 5,0 mm

Quick Response: 3,0 mm

Load Screw: Bronze per UNS C65100

Pip Cap: Bronze per UNS C65100

Spring: Stainless steel per UNS S30100

Seal: Teflon² tape

Frame: Die cast brass 65-30

Pins: Stainless steel per UNS S30400

Cup: Cold rolled steel, zinc chrome plated

Cover/Escutcheon: Brass per UNS C26000

Lodgement Spring: Stainless steel per UNS S30200

Protective Cap: Polyethylene

Accessories:

Installation Wrench:

Concealed: V38-4 or V38-5

Sprinkler Finishes:

Plain Brass (only)

Cover Finishes:

Chrome Plated

White Painted³

Flat Black Painted³

Custom Painted³

² Teflon is a registered trademark of Dupont Co.

³ UL Listed for corrosion resistance.

Approval/Listings:

Approvals/Listings	Model	
	V3801	V3802
Orifice Size (inches)	1/2"	1/2"
Orifice Size (mm)	13	13
Nominal K Factor Imperial	5.6	5.6
Nominal K Factor S.I. ⁴	8.1	8.1
Response	Standard 5mm bulb	Quick ⁴ 3mm bulb
Deflector Type	Concealed Pendent	Concealed Pendent
Adjustment		

Approved Temperature Ratings	F°/C°	
	V3801	V3802
cULus	135°F/57°C 155°F/68°C 175°F/79°C 200°F/93°C	135°F/57°C 155°F/68°C 175°F/79°C 200°F/93°C
FM ⁵	NONE	155°F/68°C ⁴ 175°F/79°C ⁴ 200°F/93°C ⁴
NYC/MEA ⁵ #62-99-E	135°F/57°C 155°F/68°C 175°F/79°C 200°F/93°C	135°F/57°C 155°F/68°C 175°F/79°C 200°F/93°C
CSFM ⁵ #7690-0531:112	135°F/57°C 155°F/68°C 175°F/79°C 200°F/93°C	135°F/57°C 155°F/68°C 175°F/79°C 200°F/93°C
LPCB	155°F/68°C Sprinkler/138°F/59°C Cover 175°F/79°C Sprinkler/165°F/74°C Cover 200°F/93°C Sprinkler/165°F/74°C Cover	155°F/68°C Sprinkler/138°F/59°C Cover 175°F/79°C Sprinkler/165°F/74°C Cover 200°F/93°C Sprinkler/165°F/74°C Cover
VNIPO	135°F/57°C 155°F/68°C 175°F/79°C 200°F/93°C 286°F/141°C	135°F/57°C 155°F/68°C 175°F/79°C 200°F/93°C 286°F/141°C
CCCF	ZSTDY 155°F/68°C	NONE

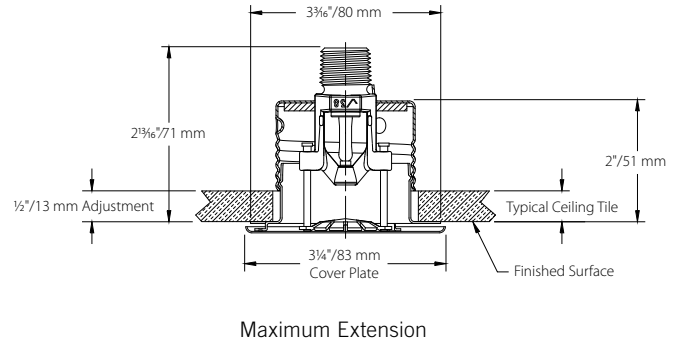
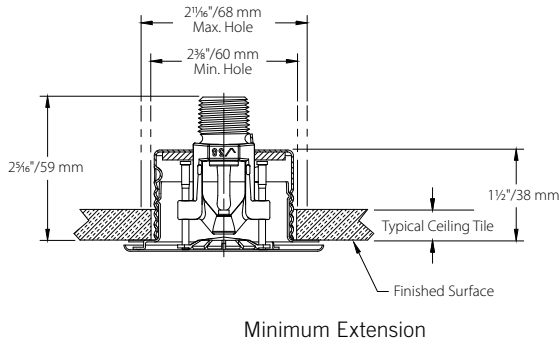
⁴ For K-Factor when pressure is measured in Bar, multiply S.I. units by 10.0.

⁵ Recognized by FM as standard response only.

Note: Listings and Approvals as of printing. All are approved open.

Dimensions:

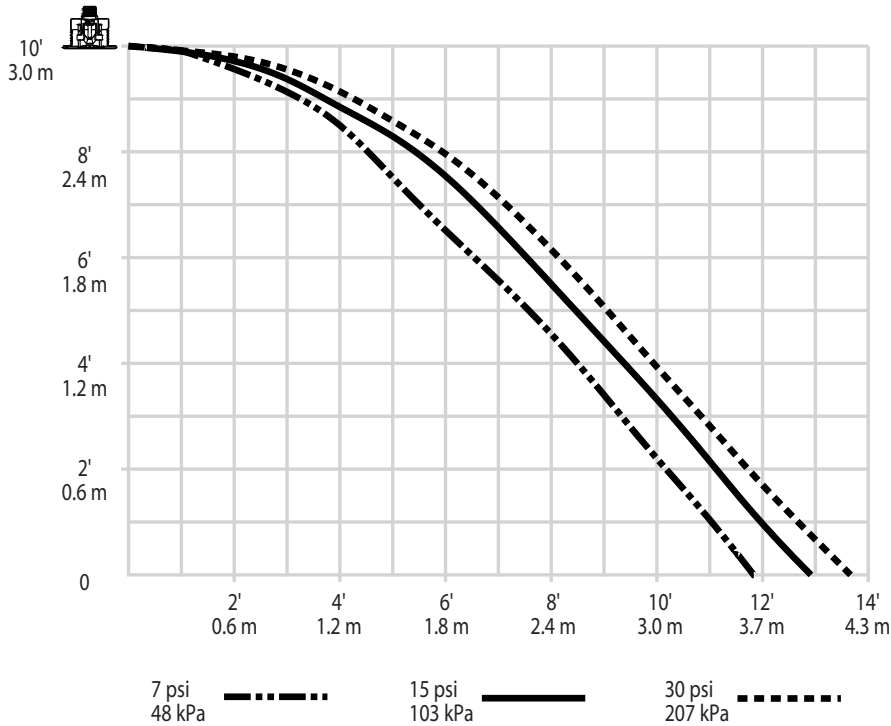
Models V3801, V3802 (drawings not to scale)



Distribution Patterns:

Models V3801, V3802

K5.6 standard concealed pendent distribution patterns – trajectory



NOTES:

- 1 Data shown is approximate and can vary due to differences in installation.
- 2 These graphs illustrate approximate trajectories, floor-wetting, and wall-wetting patterns for these specific Victaulic FireLock automatic sprinklers. They are provided as information for guidance in avoiding obstructions to sprinklers and should not be used as minimum sprinkler spacing rules for installation. **Refer to the appropriate NFPA National Fire Code or the authority having jurisdiction for specific information regarding obstructions, spacing limitations and area of coverage requirements.** Failure to follow these guidelines could adversely affect the performance of the sprinkler and will void all Listings, Approvals and Warranties.
- 3 All patterns are symmetrical to the centerline of the waterway.

Ratings:

All glass bulbs are rated for temperatures from -67°F/-55°C to those shown in table below.

Sprinkler Temperature Classification	Sprinkler - V3801, V3802 Temperature – °F/°C				Cover - V38 Temperature – °F/°C		
	Victaulic Part Identification	Nominal Temperature Rating	Maximum Ambient Temperature Allowed	Glass Bulb Color	Victaulic Part Identification	Nominal Temperature Rating	Maximum Ambient Temperature Allowed
Ordinary	A	135°F/57°C	100°F/38°C	Orange	A ⁶	135 ⁸ 57	100 57
Ordinary	C	155°F/68°C	100°F/38°C	Red	D ⁷	165 74	150 65
Intermediate	E	175°F/79°C	150°F/65°C	Yellow			
Intermediate	F	200°F/93°C	150°F/65°C	Green			
High	J	286°F/141°C	225°F/107°C	Blue			
Extra High ⁸	K	360°F/182°C	300°F/149°C	Purple			
–	M	Open	–	No Bulb			

⁶ A For use with Standard or Quick Response Concealed Sprinkler 135°F/57°C or 155°F/68°C.

⁷ D For use with Standard or Quick Response Concealed Sprinkler 175°F/79°C or 200°F/93°C.

⁸ 138°F/59°C per LPCB

Note: Custom Finish – Customer to provide paint specification, allow 4 - 6 weeks for samples.

Available Wrenches:

Sprinkler Type	Recessed
Concealed Pendent – V3801, V3802	V38-4 or V38-5

⚠ WARNING



- Always read and understand installation, care, and maintenance instructions, supplied with each box of sprinklers, before proceeding with installation of any sprinklers.
- Always wear safety glasses and foot protection.
- Depressurize and drain the piping system before attempting to install, remove, or adjust any Victaulic piping products.
- Installation rules, especially those governing obstruction, must be strictly followed.
- Painting, plating, or any re-coating of sprinklers (other than that supplied by Victaulic) is not allowed.

Failure to follow these instructions could result in serious personal injury and/or property damage.

The owner is responsible for maintaining the fire protection system and devices in proper operating condition. For minimum maintenance and inspection requirements, refer to the current National Fire Protection Association pamphlet that describes care and maintenance of sprinkler systems. In addition, the authority having jurisdiction may have additional maintenance, testing, and inspection requirements that must be followed.

If you need additional copies of this publication, or if you have any questions about the safe installation of this product, contact Victaulic World Headquarters: P.O. Box 31, Easton, Pennsylvania 18044-0031 USA, Telephone: 001-610-559-3300.

Installation

Reference should always be made to the I-100 Victaulic Field Installation Handbook for the product you are installing. Handbooks are included with each shipment of Victaulic products for complete installation and assembly data, and are available in PDF format on our website at www.victaulic.com.

Warranty

Refer to the Warranty section of the current Price List or contact Victaulic for details.

Note

This product shall be manufactured by Victaulic or to Victaulic specifications. All products to be installed in accordance with current Victaulic installation/assembly instructions. Victaulic reserves the right to change product specifications, designs and standard equipment without notice and without incurring obligations.

Trademarks

Victaulic and Zero-Flex are registered trademarks of Victaulic Company.